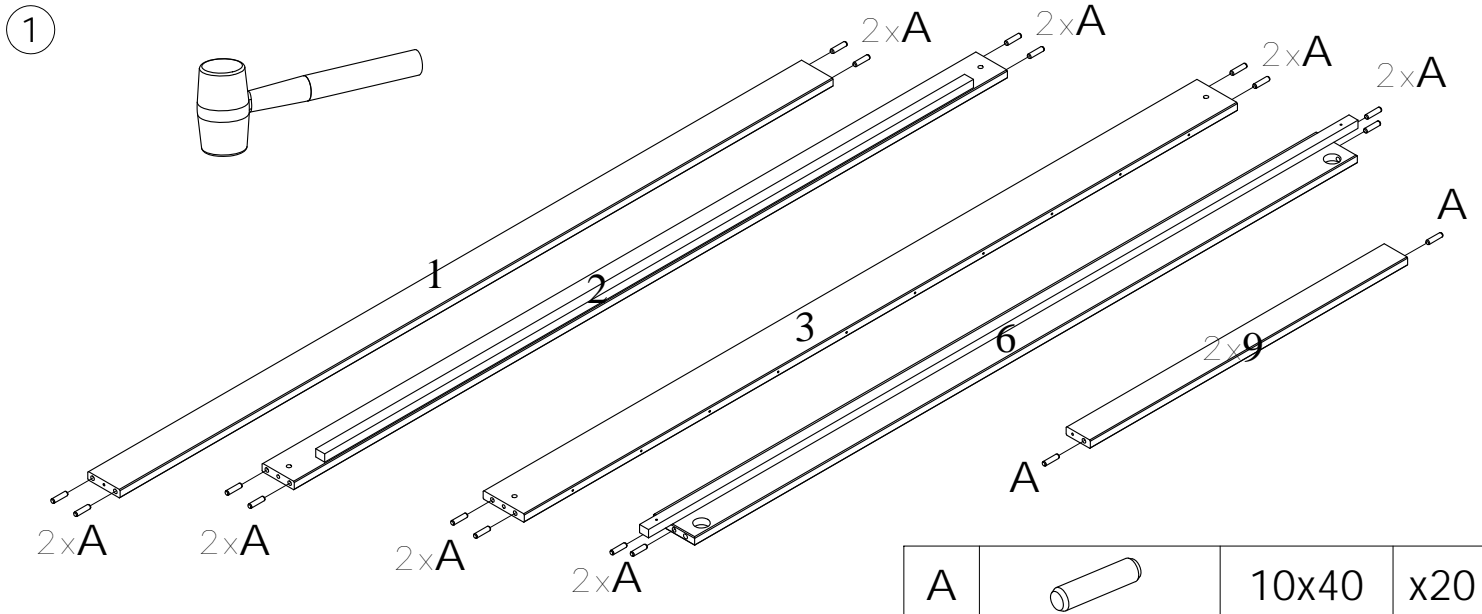


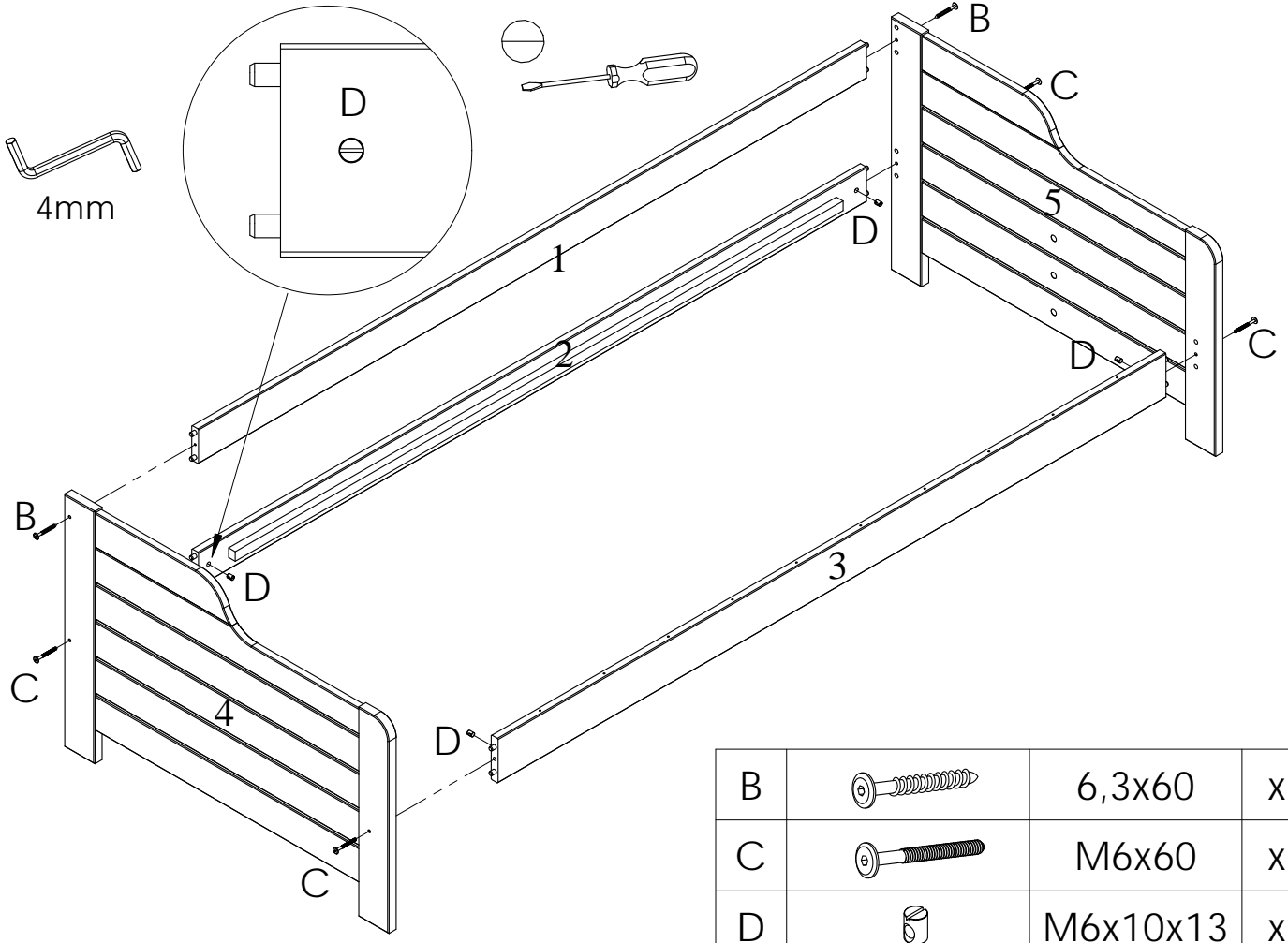
A		10x40	x20
B		6,3x60	x2
C		M6x60	x4
D		M6x10x13	x4
E		D35	x2
F		7x60	x2
G		7x50	x4

H		5x38	x14
J		3,5x35	x25
K		3,5x20	x22
L		102x30x6	x1
M		D4x13	x2
N		D15x18	x6
P		4mm	x1



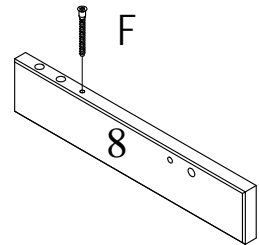
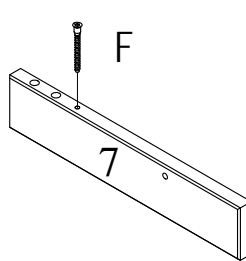
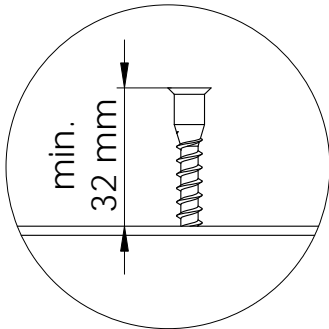
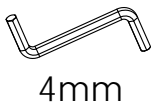
A		10x40	x20
---	--	-------	-----

2



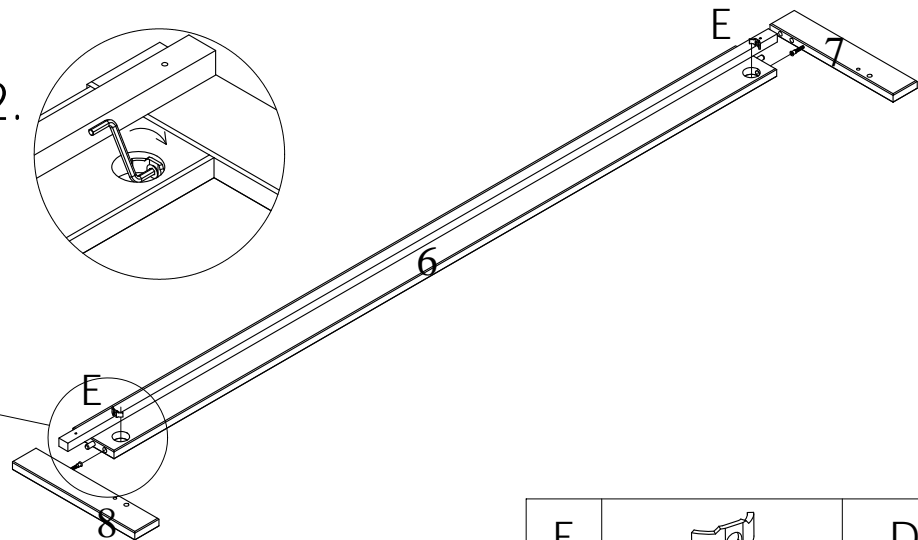
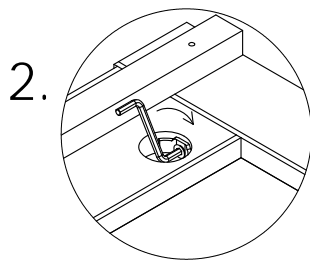
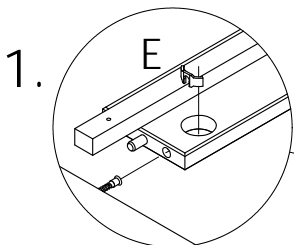
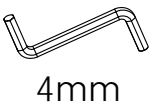
B		6,3x60	x2
C		M6x60	x4
D		M6x10x13	x4

3



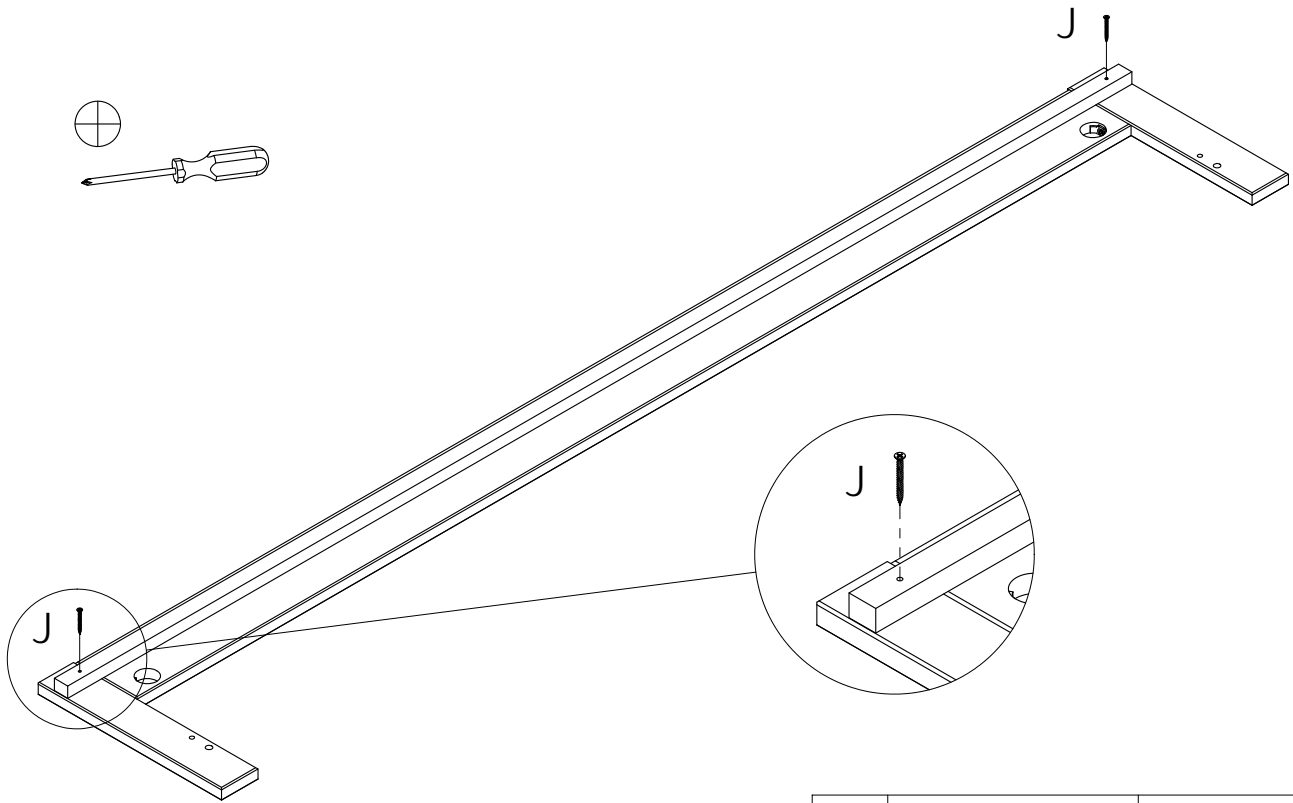
F		7x60	x2
---	--	------	----

4



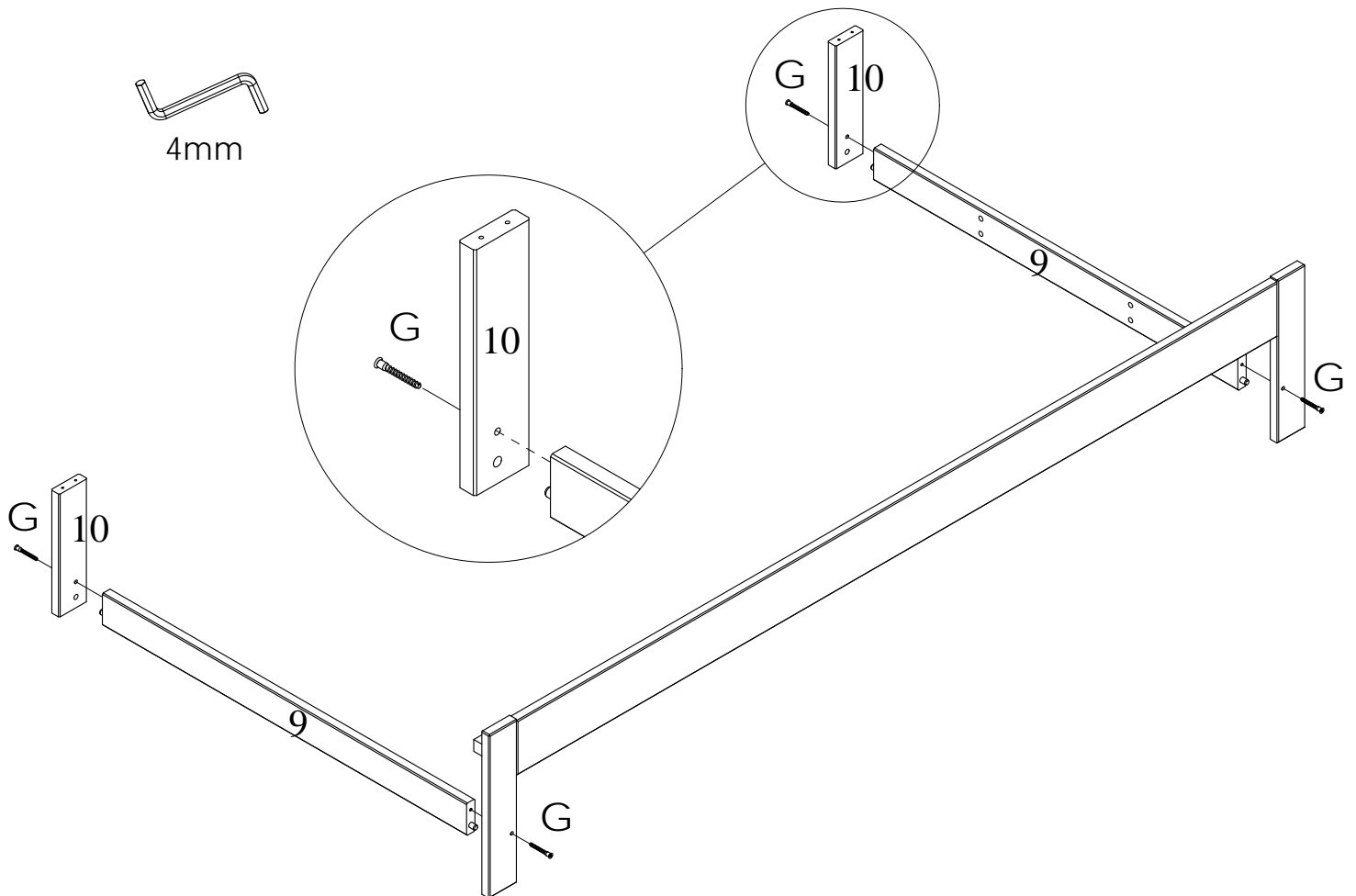
E		D35	x2
---	--	-----	----


5



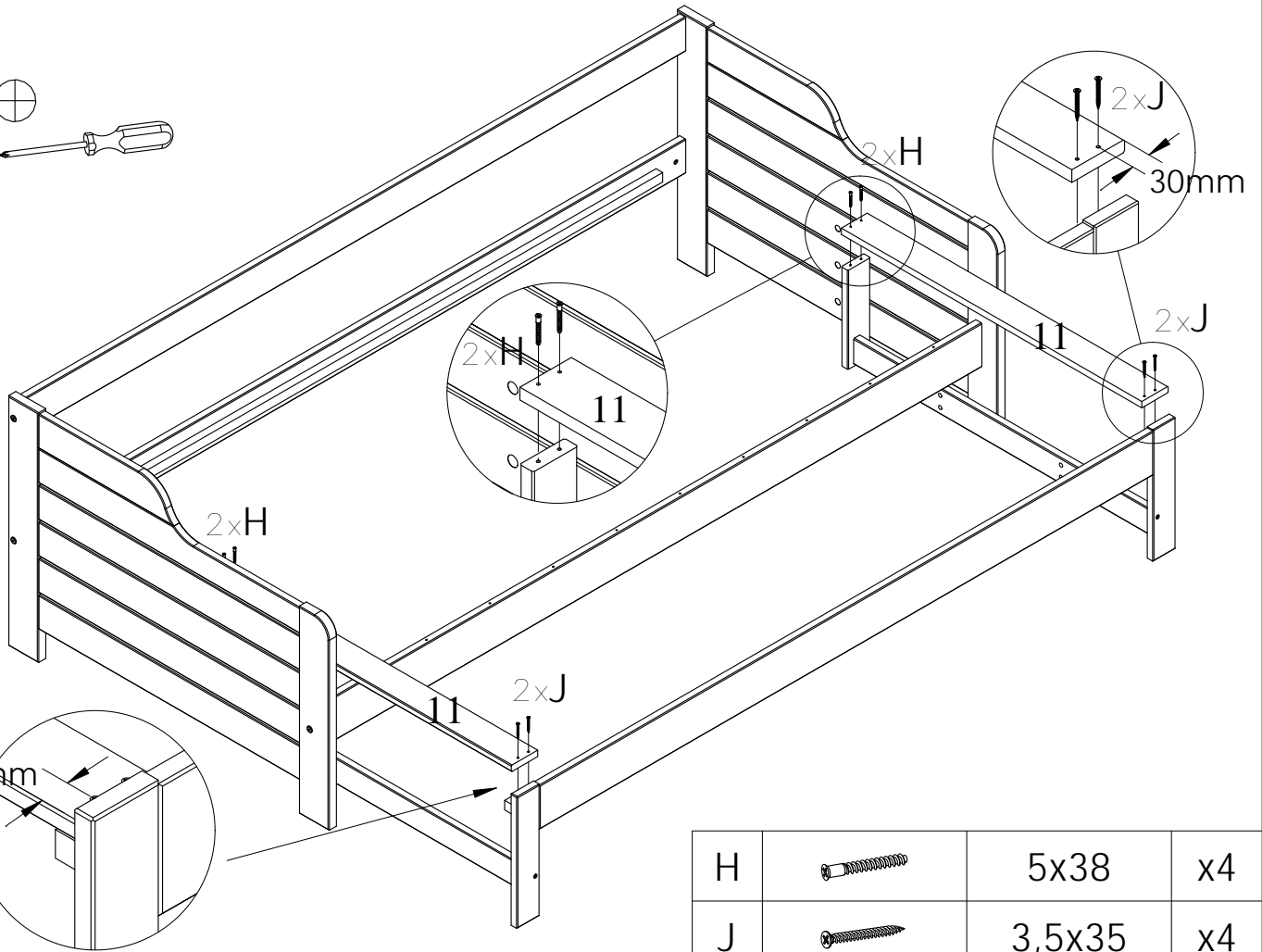
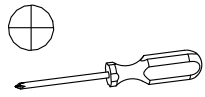
J		3,5x35	x2
---	---	--------	----

6

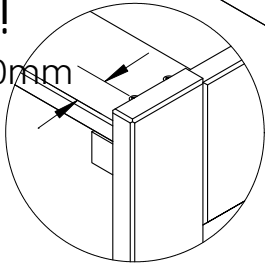


G		7x50	x4
---	---	------	----

7

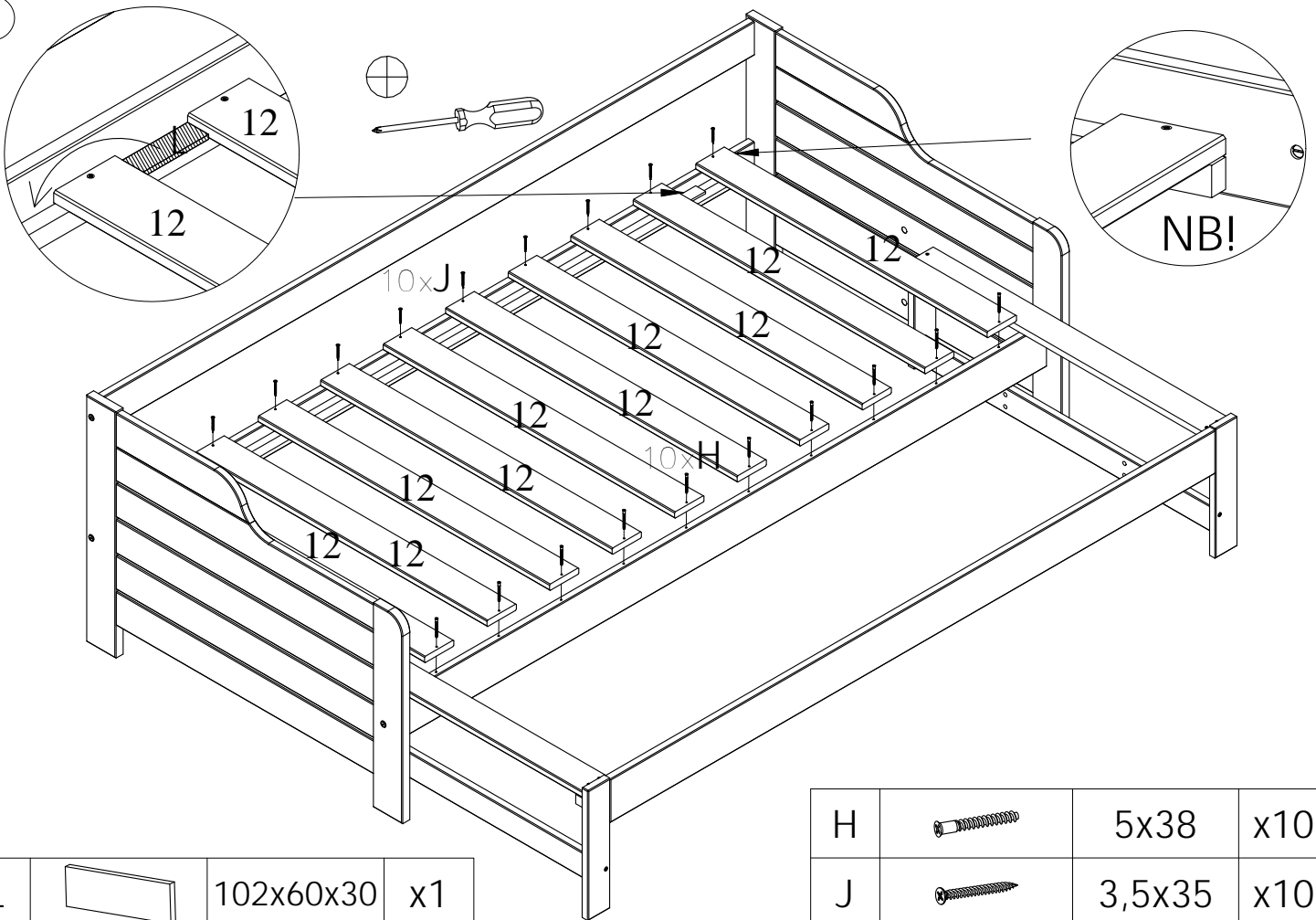
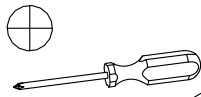


NB!



H		5x38	x4
J		3,5x35	x4

8



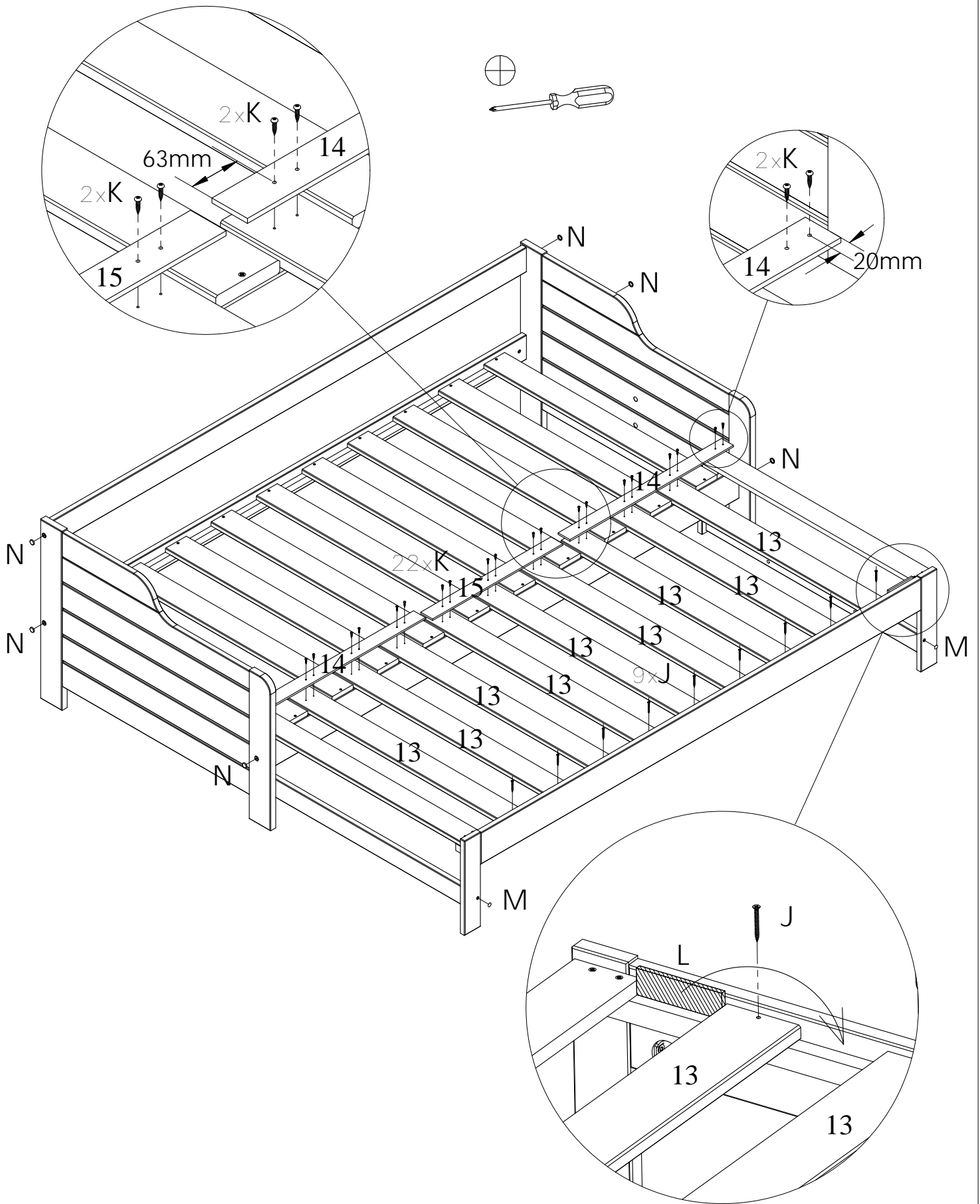
H		5x38	x10
J		3,5x35	x10




L





102x60x30 x1

9



L		102x30x6	x1
M		D4x13	x2
N		D15x18	x6

J		3,5x35	x9
K		3,5x20	x22